

# HRD-27 Residual electric charge discharging stick

• Built-in resistance

**DC 27kV**(Maximum discharge voltage)

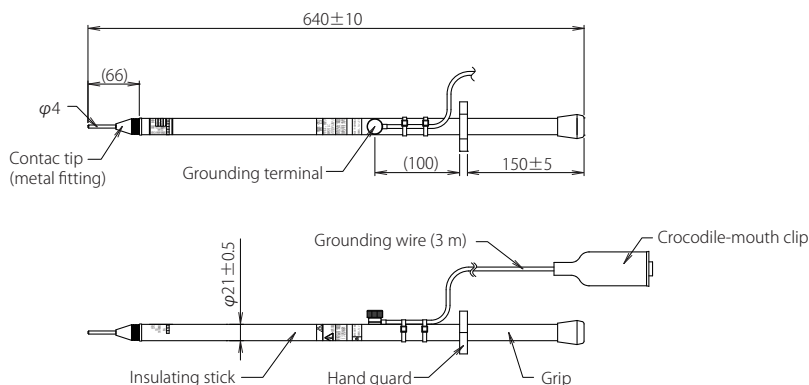
## Built-in resistance type



### ■ Features

- Allows for residual electric charge to be discharged safely and easily
- The metal fitting can be switched according to application (2 types)

### ■ Dimensions



### ■ Accessory



Straight metal fitting

Hook metal fitting



Bag for housing (DA16003)

### ■ Specifications

Discharge voltage	DC27kV (Max)
Discharge capacity	1 μF (Max)
Discharge time	5 seconds or less (DC27 kV, 50 V or less at 1 μF)
Discharge resistance	600kΩ
Operating temperature range	-10°C ~ +40°C
Weight	About 660 g
Accessory	Bag for housing , contact tip (hook metal fitting) , each 1 pc.

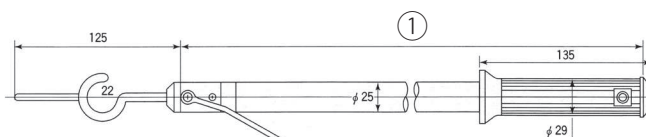
# Order-made residual electric charge discharging stick

• No built-in resistance

\*Select from the following specifications

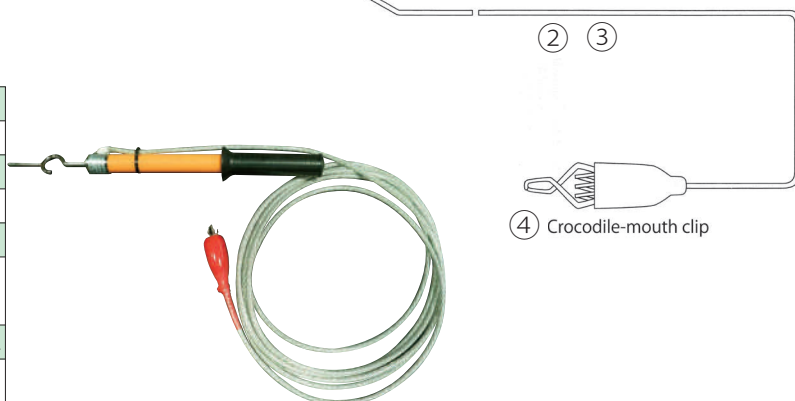
**AC 6.6kV**

## Simple Discharge stick with no built-in Internal Resistance



• This product is custom built according to the following selected specifications ((1) to (4))

(1)Length of insulation stick	<input type="checkbox"/> 0.5m <input type="checkbox"/> 1.0m <input type="checkbox"/> 1.5m <input type="checkbox"/> 2.0m
(2)Cross-sectional area of grounding wire	<input type="checkbox"/> 8mm <sup>2</sup> <input type="checkbox"/> 14mm <sup>2</sup>
(3)Length of grounding wire	<input type="checkbox"/> 2m <input type="checkbox"/> 3m <input type="checkbox"/> 4m <input type="checkbox"/> 5m <input type="checkbox"/> 6m <input type="checkbox"/> 7m <input type="checkbox"/> 8m <input type="checkbox"/> 9m <input type="checkbox"/> 10m
(4)Grounding metal fitting type	*For the Dimensions, refer to P32. <input type="checkbox"/> Crocodile-mouth clip <input type="checkbox"/> Vise type (SA107-B)



Index etc.

Voltage detector

Auxiliary device for voltage detection

Voltage detector checker

Phase tester

Grounding hook

Discone hook stick

Discharge stick

Measuring instrument

Illuminator

Railway products

Information materials