

## Voltage Detector for Medium voltage

# HSR-1.5NJ/ 1.5NJ1



### ■ Features

#### ● Highest Voltage detection

Voltage detector for the highest voltage Transmission lines.

#### ● Positive indication

The device with flashing high luminous red LED light and intermittent distinct electronic buzzer sounding easy to perceive in high daylight and noisy place.

#### ● Waterproof

The sensor is enclosed tightly, preventing failure due to dirt, water and other foreign objects.

### \* Accessories

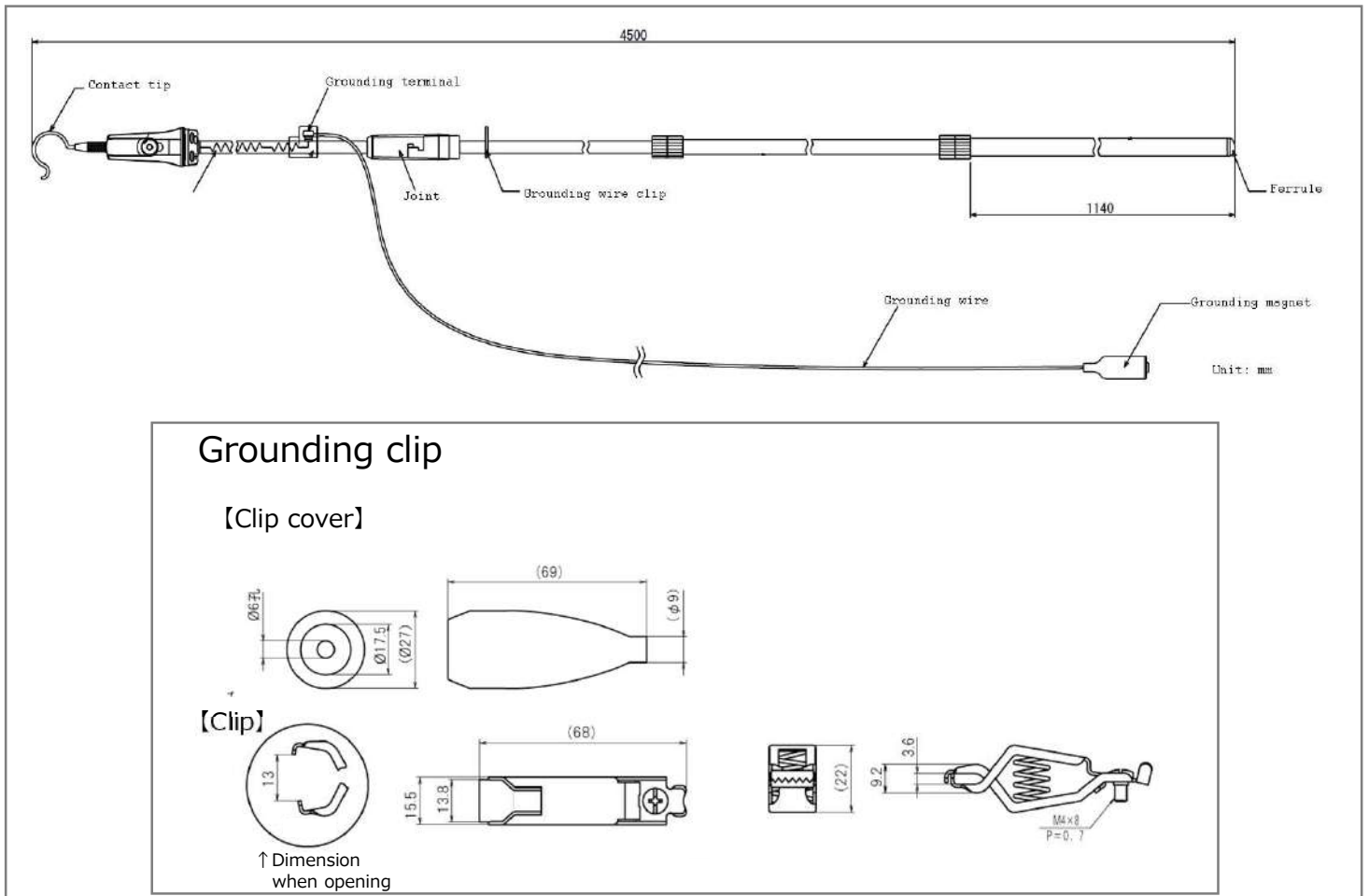


Clip type Grounding wire [7m]



Bag for housing

## ■ Dimensions



## ■ Specifications

Model		HSR-1.5NJ	HSR-1.5NJ1
Working Voltage range	AC	6600V	
	DC	600~7000V	1000~7000V
Operation starting voltage (Voltage to ground)	AC	2000±20%	
	DC	400V±80V	800V±100V
Frequency(AC)		50/60Hz	
Grounding system		Clip type	
Indication of operation	Light	It can be confirmed in the luminance of 8000Lux	
	Sound	Intermittent sound	
Battery		LR03 or R03 ×2pcs	
Accessory		Clip type grounding wire[7m], Bag	
Weight		About 3,200g	
Dielectric strength		14,000VAC, 1min (Between contact tip[metal fitting] and grounding terminal)	

HASEGAWA ELECTRIC CO., LTD

<http://www.hasegawa-elec.co.jp> infor@hasegawa-elec.co.jp