

Fixed type

● When ordering the earth hook, please determine the following.

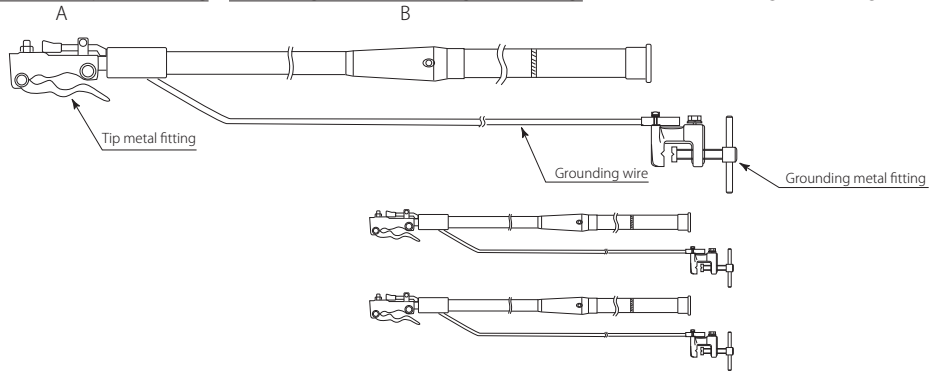
1. Type of tip metal fitting
2. Type of insulating stick (supplementary connecting type, telescopic type)
3. Length and diameter of insulating stick
4. Cross-sectional area and length of earth wire
5. Type of grounding metal fitting
6. Working voltage

Attention

- Three-phase/one set is a standard. (Used with AC)
- The bag for housing is sold separately.
- The products are manufactured to order, so there may be cases when they are non-returnable. Please note this when placing an order.

(Closed stock) = (Operating rod with tip metal fitting + Grounding wire + Grounding metal fitting) × 3

(The bag for housing is sold separately.)

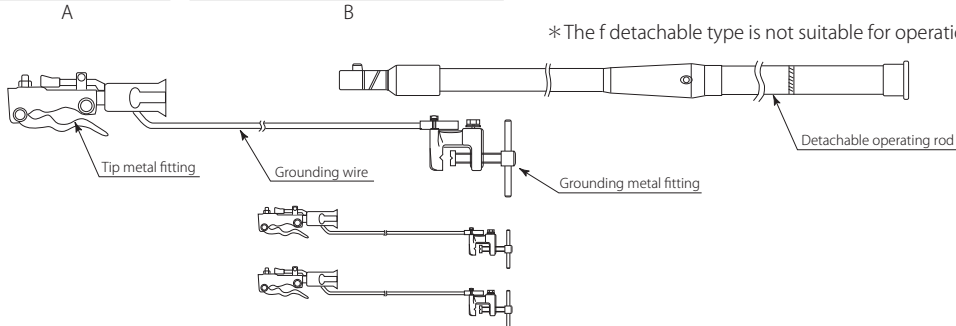


A	Model of tip metal fitting	B	Class	Breakdown of class		Grounding wire	Grounding metal fitting	Applicable voltage		
				Length, kind of operating rod						
Large fixed type MA121-A (MA121-C)			Type 5	Neo pipe	0.5m	Single rod	22mm ² ×3m	SA107C	6.6kV	
			Type 10	"	1.0m	"	"	"	"	"
			Type 15	"	1.5m	"	"	22mm ² ×4m	"	22kV
			Type 20	"	2.0m	"	"	"	"	"
			Type 25	"	2.5m	"	"	22mm ² ×5m	"	77kV
			Type 30	"	3.0m	"	"	"	"	"
			Type 35	"	3.5m (1.5+2)	Connecting type	"	22mm ² ×6m	"	"
			Type 40	"	4.0m (2+2)	"	"	"	"	154kV
			Type 45	"	4.5m (2.5+2)	"	"	22mm ² ×7m	"	"
			Type 50	"	5.0m (2.5+2.5)	"	"	"	"	"
Universal fixed type MA111-A (MA111-C)			Type 60	"	6.0m (3+3)	"	"	"	275kV	
			Type 60	"	6.0m (2×3)	"	"	"	"	"
Medium-sized fixed type MA122-A			Type 5	"	0.5m	Single rod	14mm ² ×3m	SA107B	6.6kV	
			Type 10	"	1.0m	"	"	"	"	"
			Type 15	"	1.5m	"	"	14mm ² ×4m	"	22kV
			Type 20	"	2.0m	"	"	"	"	"
Fixed type for cubicle MA115-A			Type 20	"	2.0m	"	"	"	"	

(Regarding the Type 60 described above, please determine either connection with two rods or three rods.)

Detachable type

(Closed stock) = (Detachable tip metal fitting + Grounding wire + Grounding metal fitting) × 3 + (Detachable operating rod) × 1 (The bag for housing is sold separately.)



* The f detachable type is not suitable for operation at 4 m or more.

A	Model of tip metal fitting	B	Class	Breakdown of class		Grounding wire	Grounding metal fitting	Applicable voltage				
				Length, kind of operating rod								
Large detachable type MA121-B (MA121-D)			Type 5	Neo pipe	0.5m	Single rod	22mm ² ×3m	SA107C	6.6kV			
			Type 10	"	1.0m	"	"	"	"	"		
			Type 15	"	1.5m	"	"	22mm ² ×4m	"	22kV		
			Type 20	"	2.0m	"	"	"	"	"		
			Type 25	"	2.5m	"	"	22mm ² ×5m	"	77kV		
			Type 30	"	3.0m	"	"	"	"	"		
			Type 35	"	3.5m (1.5+2)	Connecting type	"	22mm ² ×6m	"	"		
			Type 40	"	4.0m (2+2)	"	"	"	"	154kV		
			Universal detachable type MA111-B (MA111-D)			Type 60	"	6.0m (3+3)	"	"	"	275kV
						Type 60	"	6.0m (2×3)	"	"	"	"