

Grounding hook

Type HC

Universal type for cubicle.

Type HC

With bag for housing

Adjustable head hardware angle

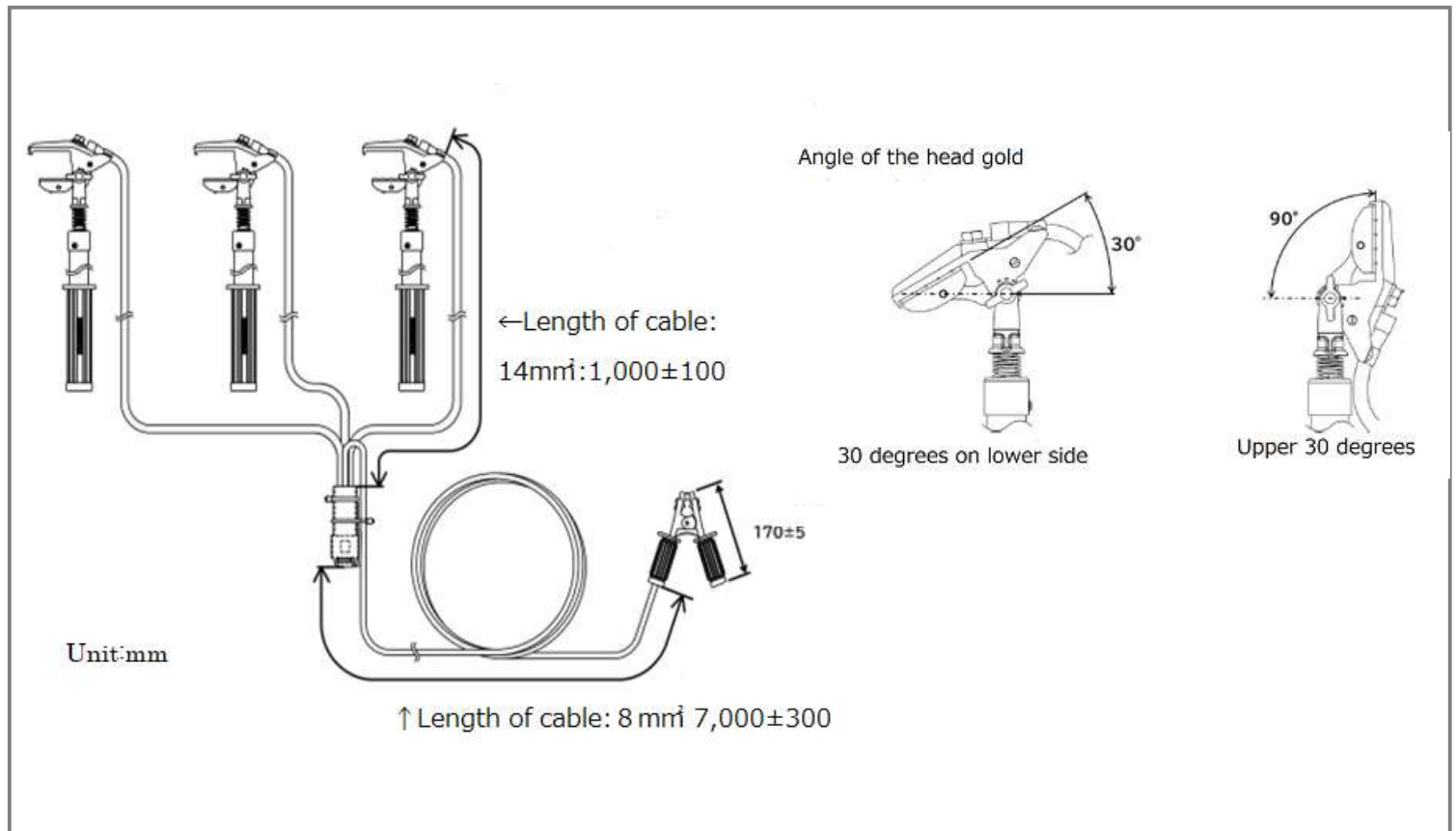
30 degrees to the bottom and 90 degrees to the top of the operating rod.



■ Specifications

Model	Head Gold	Length of insulating stick	Grounding wire	Grounding metal fitting	Hammer-in type grounding bar	Weight
HC	Wide angle adjustment type	Φ26 × 38mm	14mmφ × 1m × 3 wires	Clip	None	3.4kg
			8mmφ × 7m × 1 wire			

■ Dimensions



■ How to use

Before connect the grounding device, Detect the voltage by the Voltage detector and turn off the Circuit Breaker switch & disconnector switch.

And confirm that both of power is off by using the Voltage detector.

[Step1]

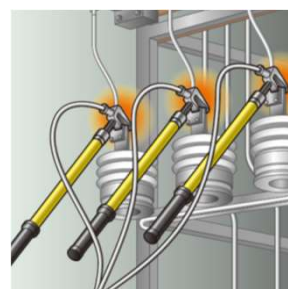
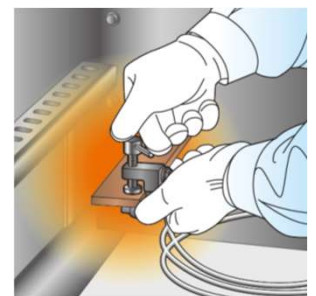
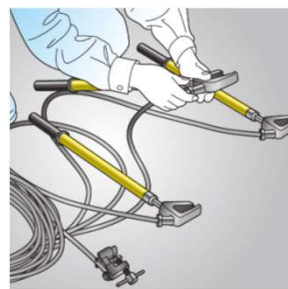
- Visual check of grounding hook set.
- Appearance and construction check.

[Step2]

- Connect the grounding device to earth terminal.

[Step3]

- Connect the contact clamp to Line 1, 2 and 3. * Connect all 3 lines



HASEGAWA ELECTRIC CO., LTD

<http://www.hasegawa-elec.co.jp> infor@hasegawa-elec.co.jp